

Argo 8x8
Frontier 650



Argo 8x8
Frontier 650
PARTS MANUAL

From Serial # ...32164

Foreword

ODG has prepared this parts manual for the 8x8 FRONTIER model to assist both qualified mechanics and vehicle owners in ordering correct, quality replacement ARGO parts. For the most current parts manual visit our website at www.argoatv.com.

Proper and regular service, and replacing old, worn or broken parts with the correct ARGO replacement parts, are both essential to prolonging the life of the ARGO. Please refer to this parts manual and/or our website www.argoatv.com before ordering any replacement part.

All information contained in this 8x8 FRONTIER Parts Manual is based on the latest product specification available at time of printing. If your 8x8 FRONTIER differs from the specifications contained in this manual, check our website www.argoatv.com for the most current information.

ODG reserves the right to alter specifications on the 8x8 FRONTIER model at any time, without obligation or prior notification.

Reproduction of this 8x8 FRONTIER Parts Manual, in whole or in part, is prohibited without prior written permission from Ontario Drive & Gear Limited.

Vehicle Identification

8x8 FRONTIER - Serial Nos.32164

Explanation of Parts Manual Format

Ref	- Reference number between assembly diagram and component parts list
Part No.	- Argo replacement part number for identification and re-ordering
Description	- Part description for identification and re-ordering
Qty	- Indicates the quantity of a part used in an assembly

Argo 8x8

Frontier 650

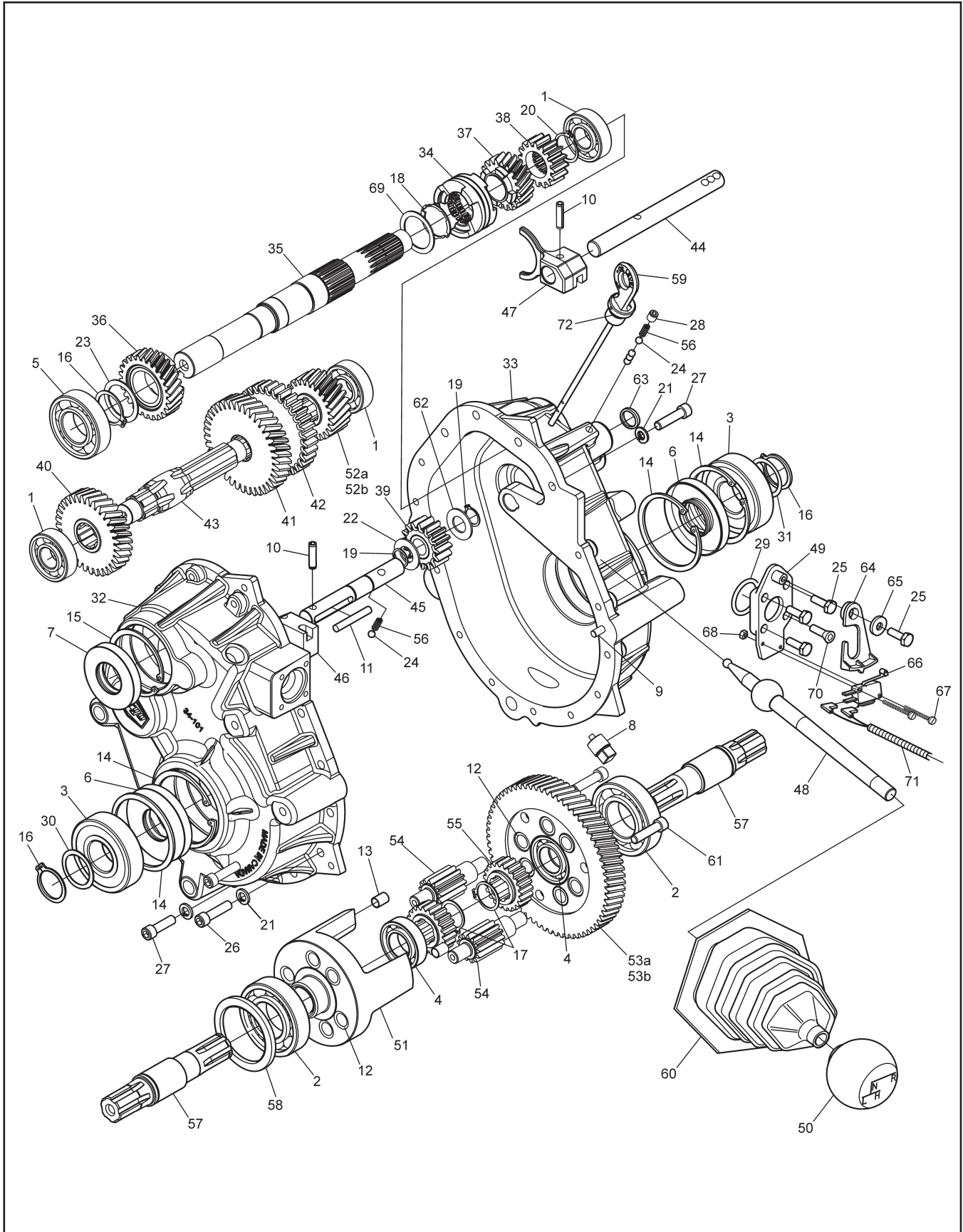


Using the Parts Manual

1. Find the major vehicle assembly in the Table of Contents on this page, and turn to that section.
2. Locate the part in the illustration that you wish to order.
3. Refer to the parts list in that section.
4. Find the correct part number (Part No.), part description (Description) and correct quantity (Qty).
5. Use *only* this information to order ARGO replacement parts. **DO NOT** attempt to order a replacement part by reference number or page number.

Table of Contents

Foreword	i
Vehicle Identification.....	i
Using the Parts Manual	ii
1.0 Transmission	1
2.0 Intake and Exhaust System.....	3
3.0 Clutch System	5
4.0 Power Pack Assembly	7
5.0 Steering & Brake System	9
6.0 Parking Brake	11
7.0 Vehicle Body & Firewall.....	13
8.0 Frame & Drive System	15
9.0 Fuel System & Seat Assembly	17
10.0 Electrical System.....	19

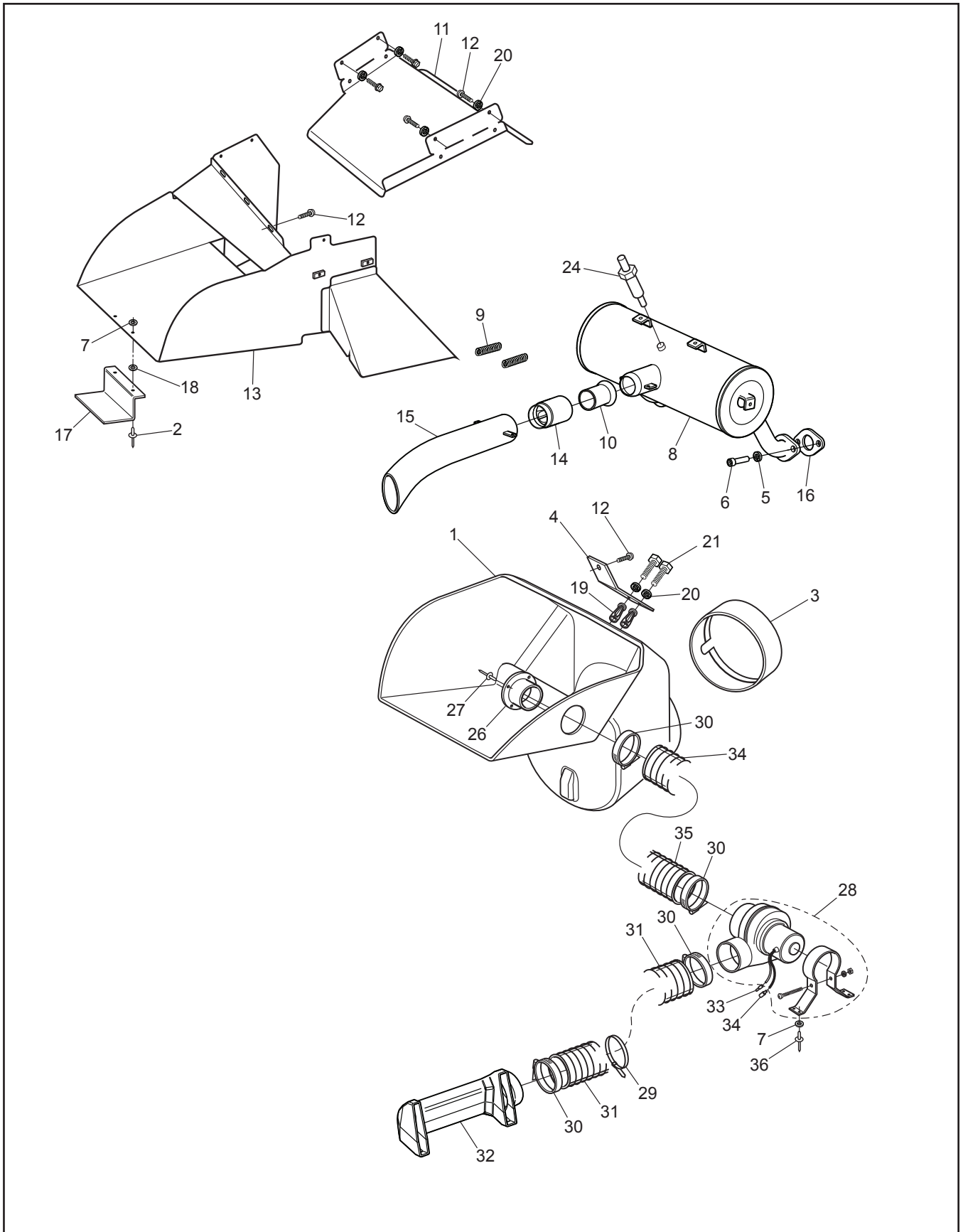


8x8 Frontier Parts Manual

1.0 Transmission

Ref.	Qty.	Part #	Description	Ref.	Qty.	Part #	Description
	1	34-100	Transmission Assembly	40	1	34-109	Gear, Helical - HI 12DP 33T
	1	34-100-3.3	Transmission Assembly	41	1	34-110	Gear, Helical - LOW 12DP 39T
1	3	101-01	Bearing, Ball 6204Z-C3	42	1	34-111	Gear, Reverse - 10DP 33T
2	2	101-03	Bearing, Ball 6207-C3	43	1	34-112	Shaft, Spline
3	2	101-05	Bearing, Ball 6306LLU-C3/2A	44	1	34-113	Shaft, Shift - Forward
4	2	101-15	Bearing, Ball 6005-C3	45	1	34-114	Shaft, Shift - Reverse
5	1	101-16	Bearing, Ball 6206-C3	46	1	34-115	Block, Shift
6	2	102-03	Seal,Oil WBS 30x72x10 NB D/LIP	47	1	34-116	Fork, Shift
7	1	102-05	Seal,Oil WBS 30x62x10 NB D/LIP	48	1	34-117	Lever, Shift
8	1	103-02	Plug, Magnetic 3/8-18NPT SQ.HD	49	1	34-131	Plate, Shifter
9	2	104-03	Pin, Dowel 1/4x7/8	50	1	34-121	Knob, Shift - w/Argo Logo
10	2	104-39	Pin, Spring - 1/4 x 1.0	51	1	34-122	Cage, Differential
11	1	104-40	Pin, Dowel - 1/4 x 1.75	52a	1	34-123	Pinion, Helical - 25T - 2.6
12	12	105-03	Bushing, Oilite - 1/2x3/4	52b	1	34-125	Pinion, Helical - 21T - 3.3
13	3	105-23	Bushing, Dowel - .312 x .5	53a	1	34-124	Gear Plate - 66T - 2.6
14	4	106-03	Retaining Ring HO-281PA	53b	1	34-126	Gear Plate - 70T - 3.3
15	1	106-05	Retaining Ring HO-244-PA	54	6	34-13	Gear, Planet - 12T
16	3	107-02	Retaining Ring SH-0118-PA	55	2	34-14	Gear, Sun - 21T
17	2	107-04	Retaining Ring SH-0098-PA	56	2	34-32	Spring, Comp. 0.22x.50
18	1	107-14	Retaining Ring LC-125-PA	57	2	34-98	Shaft, Output - Splined
19	2	107-11	Retaining Ring	58	1	114-01	Washer, Shim 2.25 x 2.81 x .02
20	1	107-15	Retaining Ring SHR-098-PA	59	1	CE-035	Dipstick - with Breather - 190mm
21	15	108-05	Lockwasher 5/16 Split Ring Zn	60	1	609-38	Boot, Shifter
22	1	108-78	Washer, Thrust	61	3	112-64	SHCS, 5/16-18 x 1.25
23	1	108-79	Washer, Thrust	62	1	108-88	Washer, Retaining Thrust
24	5	109-05	Ball, Steel 6mm 62-67 Rc	63	1	113-16	O-Ring #AS568-014-70BN 5/8"OD x 1/2"ID x 1/16" Thk
25	4	112-04	HHCS 1/4-20x3/4 Gr2 Zn	64	1	34-132	Follower, Neutral Start
26	14	112-143	SHCS 5/16 x 1.25 Zn	65	1	108-08	Washer, .28 x .62 x .07 Zn
27	1	112-144	SHCS 5/16 x 1.0 Zn	66	1	809-202	Switch, Limit - Two Pole
28	1	112-145	SHSS 5/16 - 18 X 3/8	67	2	112-172/PI	SHMS, #5-40x3/4 Zn
29	1	113-11	O-Ring #AS568-216-70BN	68	2	112-173/PI	Locknut, #5-40 Zn
30	1	114-04	Washer, Shim 1.19x1.50x.04	69	1	108-85	Washer, Retaining Thrust
31	1	114-05	Washer, Shim 1.19x1.50x.02	70	1	112-171	FHSC 1/4-20 x 3/4 Gr2 Zn
32	1	34-101	Housing, Transmission - L	71	1	613-112	Wire Harness, Neutral Start
33	1	34-102	Housing, Transmission - R	72	1	161-28	O-Ring, 3mm CS x 12mm ID
34	1	34-127	Clutch, Dog				
35	1	34-130	Shaft, Input - 19/15T Spline				
36	1	34-128	Pinion, Helical - HI 12DP 26T				
37	1	34-129	Pinion, Helical - LO 12DP 20T				
38	1	34-107	Pinion, Reverse - 10DP 16T				
39	1	34-108	Gear, Idler - Rev - 10DP 16T				

2.0 Intake and Exhaust System 8x8 Frontier Parts Manual

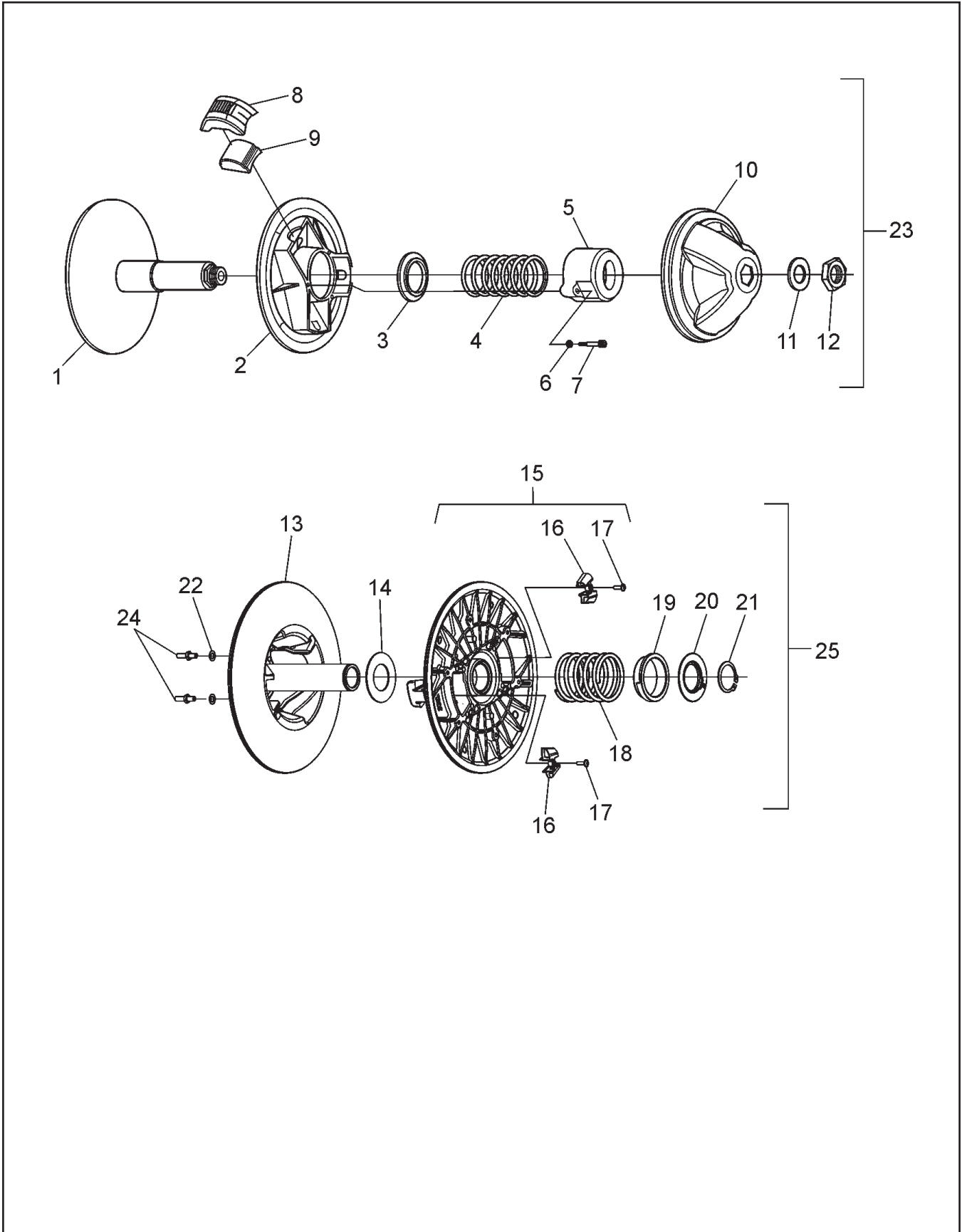


8x8 Frontier Parts Manual 2.0 Intake and Exhaust System

Ref.	Qty.	Part #	Description
1	1	809-07	Duct, Intake - Frontier
2	2	120-31	Rivet, 3/16 x 1/4". Open End
3	1	603-82	Seal, Argo Air Intake Duct
4	1	809-08	Bracket, Intake Duct
5	4	108-02	Lockwasher 5/16 Hi-Collar Bare
6	4	112-30	SHCS M8 x 1,25 x 20mm Zn
7	4	120-04	Washer, .19 x .50 x .08 Zn
8	1	607-135	Muffler, B&S 23 HP Weld Ass'y
9	2	127-187	Spring, Extension - 17/32 x 3.75
10	1	607-135	Tube, Muffler, Flared x 2.0
11	1	607-191	Shield, Duct Exhaust Upper
12	8	112-19	Screw, IHWH T/C Slot 1/4-20 x 1/2
13	1	607-164	Duct, Exhaust - Frontier
14	1	607-126	Spark Arrester, 1.75 Dia.
15	1	607-134	Pipe, Tail Asy
16	2	806425	Gasket, Exhaust Manifold - B&S 23 HP
17	1	707-45	Support, Exhaust Duct
18	2	125-58	Washer, Fibre - W-77F
19	2	117-53	Nut, Jack 1/4-20 8L-JNS Zn
20	6	108-03	Lockwasher 1/4 Split Ring Zn
21	2	103-97	HHCS 1/4-20 x 1.25 Gr5 Zn
22	1	108-71	Lockwasher, #8 External Tooth
23	1	112-43	Screw IHWH #8 x 3/8
24	1		See Section 4.0 Power Pack Assembly
26	1	127-171	Adapter, 3" Hose
27	4	120-11	Rivet, 5/32 x 9/16 Black
28	1	127-184	Blower Fan
29	1	100-102	Tie Wrap, 14" - White
30	4	125-35	Clamp, Gear 3.50" HF-52
31	1	127-139	Hose, Brake Fan Discharge
32	1	127-134	Duct, Brake Cooling
33	1	118-02	Terminal, Male #76-1251
34	1	118-03	Terminal, Female #76-1289
35	1	127-140	Hose, Brake Fan Inlet
36	4	120-09	Rivet, 3/16 x 1.0 Black

3.0 Clutch System

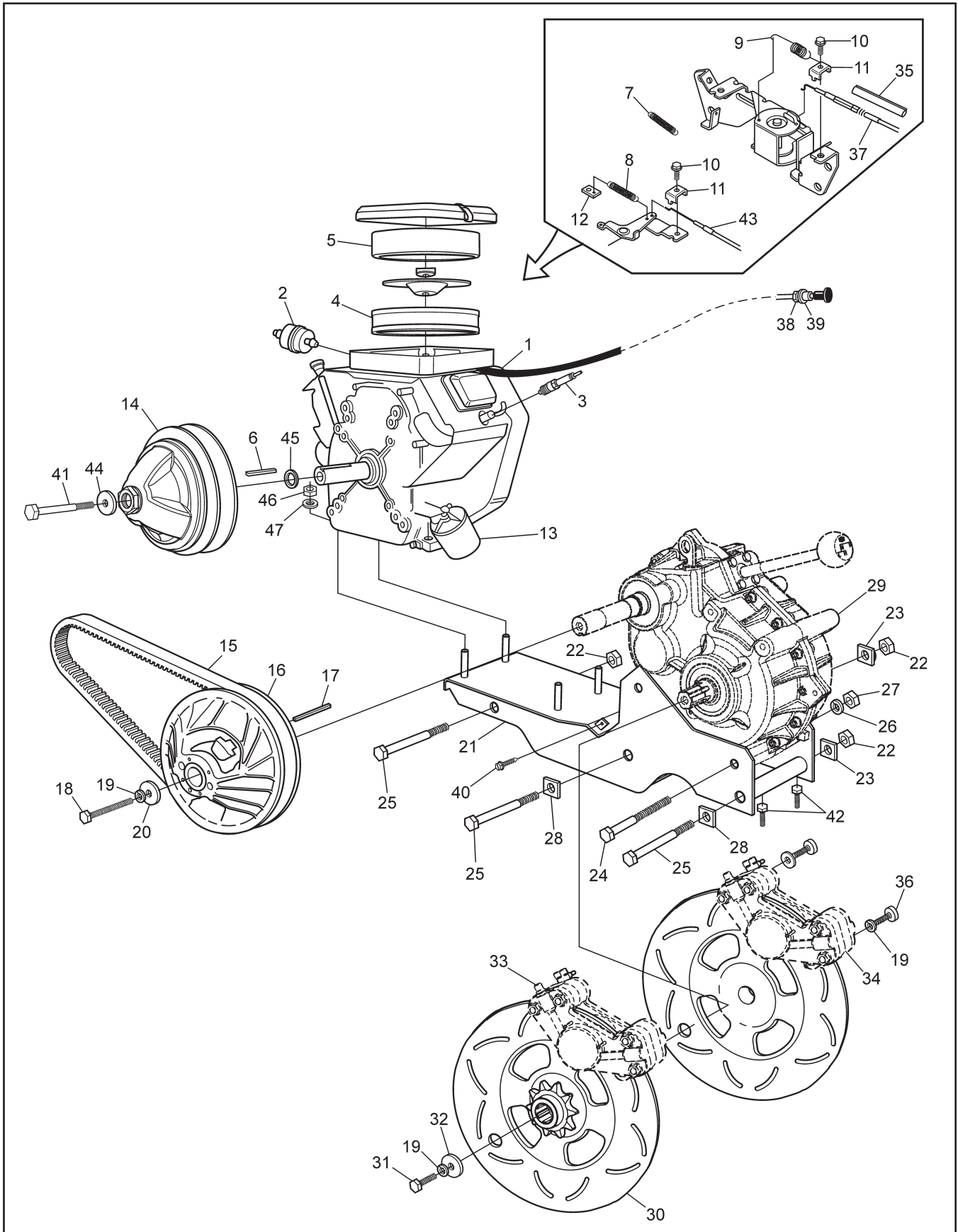
8x8 Frontier Parts Manual



Ref.	Qty.	Part #	Description
1	1	0405-0075	Flange, Fixed
2	1	0410-0026	Flange, Sliding
3	1	0150-1014	Spring Guide Washer
4	1	0451-1114	Spring
5	1	0440-0005	Spring Cover
6	3	0080-0167	Lockwasher
7	3	0080-0021	Screw, Cap
8	3	0130-3012	Block
9	3	0135-3065	Weight (275gr)
	1	127-208	Weight Set (3), 185g - High Elevation
	1	127-209	Weight Set (3), 220g - High Elevation
	1	127-210	Weight Set (3), 240g - High Elevation
10	1	0115-0047	Cap
11	1	0080-0153	Washer, Zn
12	1	0080-0100	Nut
13	1	5905-0003	Flange, Fixed
14	1	0080-0164	Washer, Shim
15	1	5910-0002	Flange, Sliding
16	3	5930-3001	Cam Shoe
17	2	0080-0031	Screw
18	1	5951-1009	Spring
19	1	5950-3003	Spring Protector
20	1	5950-3002	Spring Support
21	1	0080-0216	Retaining Ring, Outside
22	2	0080-0167	Lockwasher
23	1	127-135	Clutch, Driver
24	2	0080-0035	Screw & Nut Ass'y
25	1	127-156	Clutch, Driven - INVANCE

4.0 Power Pack Assembly

8x8 Frontier Parts Manual



8x8 Frontier Parts Manual

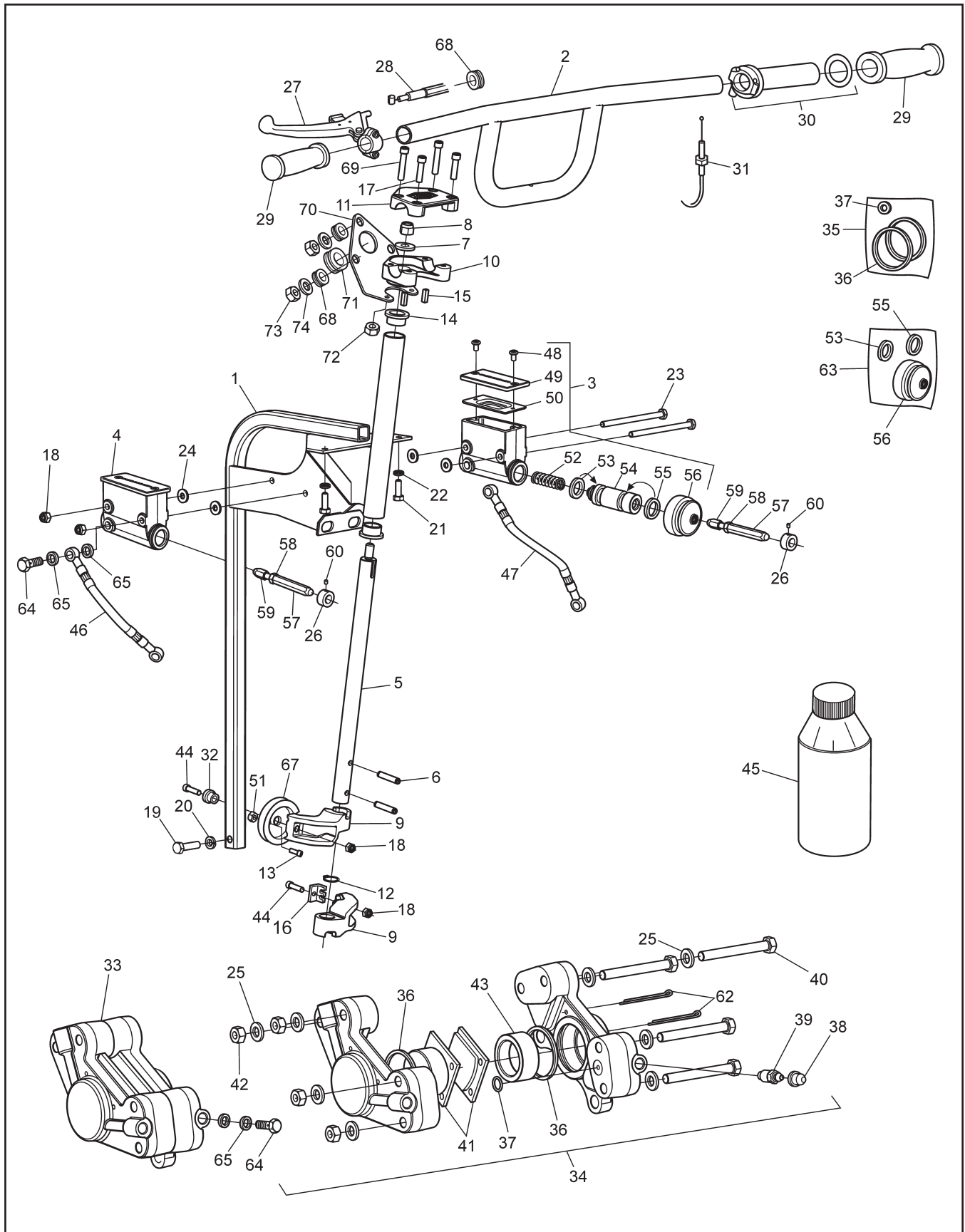
4.0 Power Pack Assembly

Ref.	Qty.	Part #	Description
1	1	128-32	Engine - B&S 23HP, 20/50 amp incl. Ref. 2-13 B&S #386447-0144-E1
2	1	125-64	Fuel Filter, G81-4
3	2	127-193	Sparkplug RC14YC
4	1	692519	Filter, Air
5	1	692520	Element, Foam
6	1	110-18	Key 1/4 x 1/4 x 1.75 RC45
7	1	805458	Spring
8	1	125-88	Spring, Return
9	1	127-49	Spring, Return
10	2	805169	Screw-Hex Head (Briggs #)
11	2	221535	Clamp - Casing (Briggs #)
12	1	601-86	Clip, Retainer
13	1	126-95	Filter, Oil
14			See Section 3.0 Clutch System
15	1	127-159	Drive Belt - Frontier - 11.3" Cen. Dist
	1	127-159HD	Drive Belt -Frontier -Heavy Duty (Opt.)
16			See Section 3.0 Clutch System
17	1	110-03	Key 1/4 x 3/16 x 2.375 RC46
18	1	112-164	HHCS 3/8-16 x 3.50 Gr5 Zn
19	7	108-06	Lockwasher 3/8 Split Ring Zn
20	1	108-46	Washer .40 x 1.37 x 1.2 Hi- Carbon
21	1	604-118	Frame Ass'y - Power Pack
22	3	117-83	Locknut, Stover 5/8-11 Zn
23	2	811-09	Washer, Square - .64 ID
24	2	103-20	HHCS 1/2-13 x 6.5 Gr5 Zn
25	3	112-58	HHCS 5/8-11 x 7.5 Gr5 Zn
26	2	108-07	Lockwasher 1/2 Split Ring Zn
27	2	117-06	Nut, Fin Hex 1/2-13 Zn
28	2	811-15	Washer, Square Lock .64 ID
29			See Section 1.0 Transmission
30	2	606-74	Disc, Brake-Splined #60-10T
31	2	103-18	HHCS 3/8-24 x 1.25 Gr5 Zn
32	2	108-18	Washer .40 x 1.37 x .12 Zn

Ref.	Qty.	Part #	Description
33			See Section 5.0 Steering & Brake System
34			See Section 5.0 Steering & Brake System
35	1	607-172	Sleeve, Thermo Protect 1/2" ID
36	4	103-41	SHCS 3/8-16 x 1.25 Zn
37	1	612-101	Cable Asm, Throttle
38	2	117-68	Nut, Jam 3/8-24 UNF Zn
39	1	108-32	Lockwasher 3/8 Int.Tooth
40	2	103-71	Screw, IHWH T/C 1/4-20 x 1.25
41	1	112-160	HHCS, 7/16-20 x 5" Lg
42	2	103-53	HHCS 3/8-16 x 3.0 Full Thread
43	1	612-130	Cable Asm, Choke
44	1	108-58	Washer .47 x 1.37 x .12 Hi-Carbon
45	1	108-84	Washer, Engine, Clutch
46	4	117-21	Locknut, Nylon 5/16-18 Zn
47	4	108-24	Washer .34 x 1.00 x .06 Zn

5.0 Steering & Brake System

8x8 Frontier Parts Manual

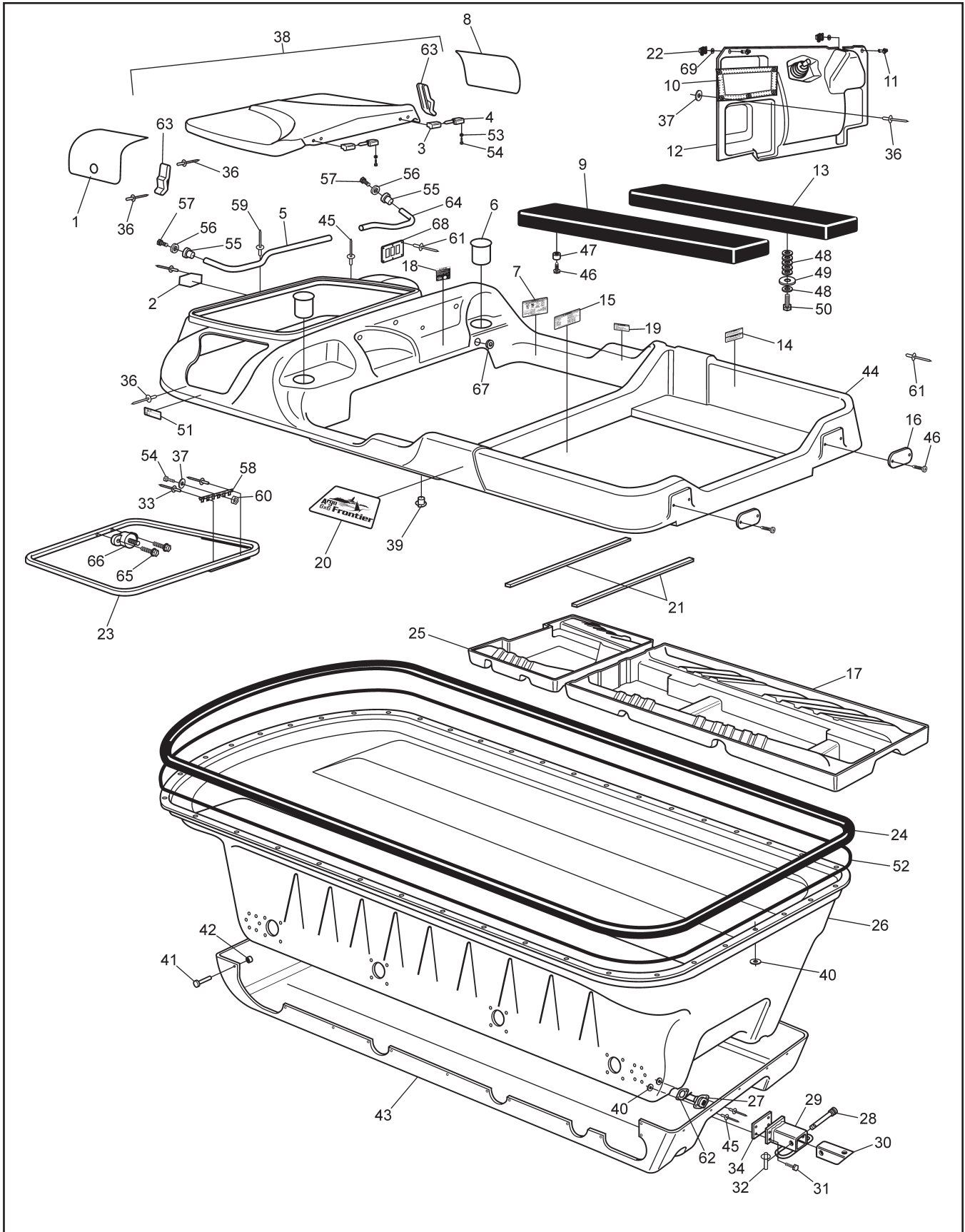


8x8 Frontier Parts Manual

5.0 Steering & Brake System

Ref.	Qty.	Part #	Description	Ref.	Qty.	Part #	Description
1	1	612-123	Frame Assembly, Steering Column	44	2	112-159	BHCS, 1/4-20 x 1.0, Plated
2	1	612-107	Handlebar Assembly	45		126-19	Fluid, Brake-Silicon Dot 5 - .35L
3	1	165-08	Master Cylinder, Grimeca - R	46	1	163-05	Hose Asm, Hydraulic - Left
4	1	165-07	Master Cylinder, Grimeca - L	47	1	163-06	Hose Asm, Hydraulic - Right - SS
5	1	612-128	Shaft, Steering - Avenger	48	2x2	160-42	Screw, FHMS M5 x 0,8 x 6mm
6	2	104-42	Pin, Spring 1/4 x 1.5"	49	2x1	168-08	Cover
7	1	108-47	Washer, .39 x .94 x .13 Zn Di-chr	50	2x1	168-09	Cover, Rubber
8	1	117-29	Locknut, Nylon 3/8-16 Zn	51	1	117-10	Locknut, 10-24 N/I Zn
9	2	612-124	Arm, Steering	52	2x1	162-08	Spring, Comp. 17.3 x 49.3mm
10	1	612-106	Clamp, Lower Handlebar	53	2x1		Seal, Primary, 19mm (See Ref. 63)
11	1	612-105	Clamp, Upper Handlebar	54	2x1	168-10	Piston 19mm dia.
12	1	106-07	Ring, Retaining SH-0075PA	55	2x1		Seal, Secondary, 19mm (See Ref. 63)
13	1	160-46	SHCS, #10-24 x 3/8"	56	2x1		Boot, Rubber (See Ref. 63)
14	2	105-16	Bushing, Oilite - 3/4 x 1/2	57	2	812-30	Pin, Female
15	2	110-17	Key, 3/16 x 3/16 x .625	58	2	117-03	Nut, Fin Hex 1/4-20 Zn
16	1	128-24	Retainer, Handbrake Cable	59	2	812-31	Fin, Male
17	2	112-47	SHCS, 1/4-20 x 1.0 Zn	60	2	112-02	SHSS 10-24x1/4 Knurl Cup PT, PL
18	4	117-27	Locknut, Nylon 1/4-20 Zn	62	2x2	168-07	Pin, Cotter 1/8 x 3.00 Zn
19	1	103-38	HHCS 5/16-18x1.25 Gr5 Zn	63	2x1	161-25	O-Ring Kit - Master Cylinder - Grimeca (incl. Ref. 53, 55 & 56)
20	1	108-05	Lockwasher, 5/16 Split-Ring Zn	64	4	160-44	Bolt, Banjo - M10 x 1,0 x 21,0
21	2	112-04	HHCS 1/4-20 x 3/4 Gr2 Zn	65	8	160-01	Washer, Copper - 1,5 x 10,0 x 14,0
22	2	108-03	Lockwasher 1/4 Split Ring Zn	67	1	165-18	Pulley, Handbrake Cable
23	2	103-66	HHCS, 1/4-20 x 4.0 Gr5 Zn	68	4	125-84	Grommet, Rubber
24	4	108-08	Washer, .28 x .62 x .04 Zn	69	2	103-69	SHCS 1/4-20 x 1.5 Zn
25	2x8	108-24	Washer, .34 x .70 x .06 Zn	70	1	612-132	Bracket, LCD Gauge - Painted
26	2	812-17	Collar	71	1	128-27	Grommet 1-1/4ID x 1-1/2x3/32
27	1	128-17	Lever Assembly, Handbrake, Spring	72	2	117-86	Nut, Acorn, 1/4-20 Zn
28	1	128-21	Cable Assembly, Handbrake	73	3	117-85	Nut, Acorn, M5 Zn
29	2	127-35	Grip, Molded	74	3	120-04	Washer .19 x .50 x.08 Zn
30	1	127-81	Throttle Twist Grip				
31	1	612-101	Cable Asm., Throttle - Frontier				
32	1	105-25	Bushing, Flange Oilite FF-310				
33	1	166-10	Caliper, Hydraulic Brake - L w/o pads				
34	1	166-11	Caliper, Hydraulic Brake - R w/o pads				
35	2	161-05	O-ring Kit, Knott Caliper				
36	2		Seal, Piston				
37	2		Seal, Rubber				
38	2x1	168-20	Plug, Rubber				
39	2x1	168-02	Screw, Bleeding, Knott Caliper				
40	2x4	112-154	SHCS, 5/16-18 x 2.75 Zn				
41	1	170-03	Pad Set (4), Brake - Non-Asbestos				
42	2x4	117-03	Nut, Fin Hex 5/16-18 Zn				
43	2x2	168-01	Piston, Knott Caliper				

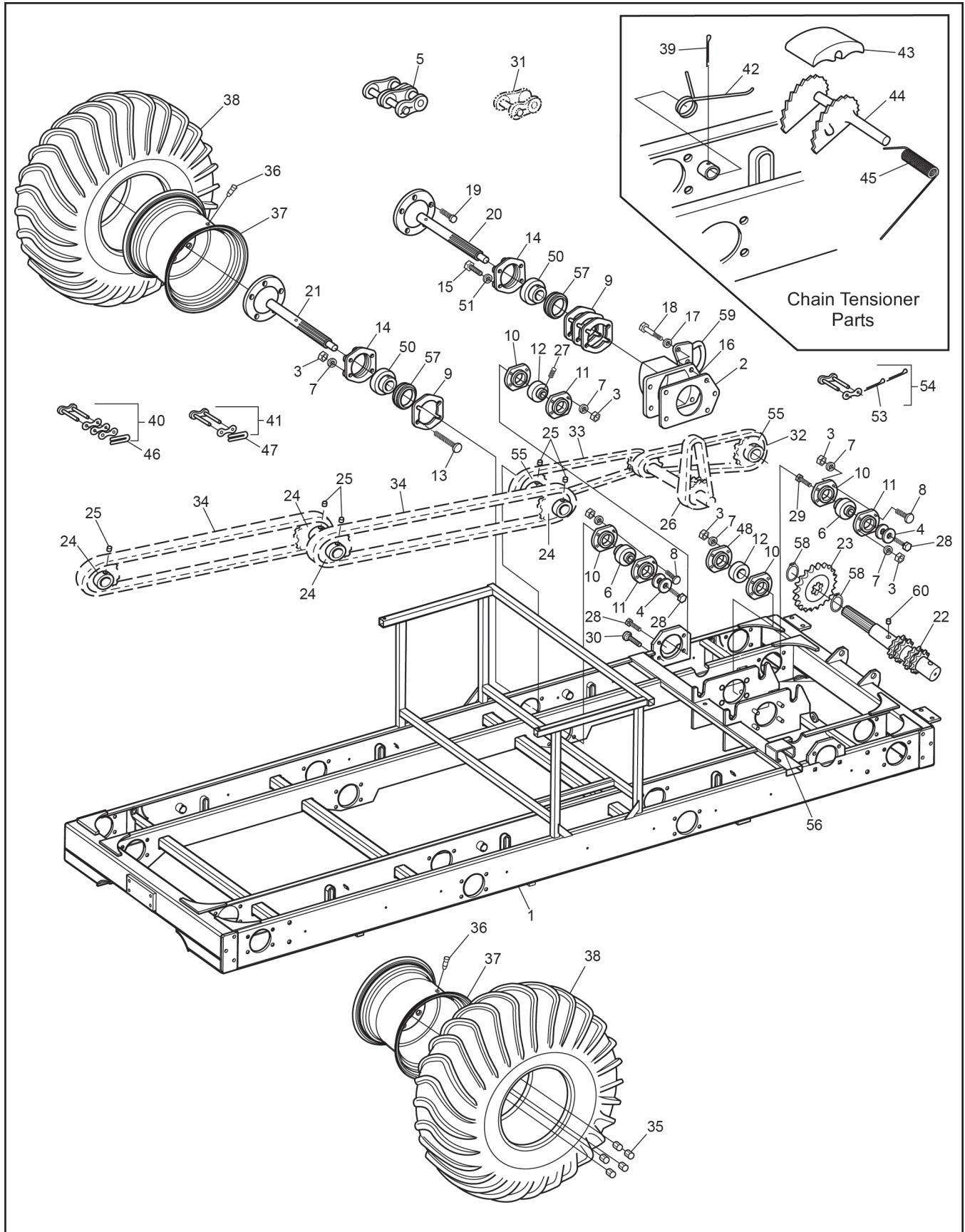
Ref.	Qty.	Part #	Description
1	1	850-96	Caliper Ass'y, LH, Parking Brake
2	1	850-97	Caliper Ass'y, RH, Parking Brake
3	1	850-98	Kit, Service, Parking Brake (includes Ref. 4 - 9, not sold separately)
4	1		Cam Tension Spring (compression)
5	1		Left & Right Brake Pads
6	1		Cam Arm Spring (tension)
7	1		Brake Pad Retaining Screw
8	1		Castle Nut
9	1		Cotter Pin
10	2	103-06	HHCS 5/16-18x1.0 Gr5 Zn
11	5	103-08	HHCS 1/4-20x1.0 Zn
12	2	112-173	Locknut, #5-40, Zn
13	1	112-178	Bolt, Shoulder, 1/2 x 5/8
14	2	112-172	SHCS 5-40 x 3/4 Zn
15	1	108-35	Washer .53 x 1.06 x .09 Zn
16	5	108-24	Washer .34x.70x.06 Zn
17	7	108-47	Washer .39x.94x.13 Zn Di-Chro
18	1	117-10	Locknut, 10-24 N/I Zn
19	4	112-132	HHCS 5/16-18 x 3.25 Gr5 Zn
20	1	112-19	Screw,IHWH T/C Slot 1/4-20x1/2*
22	6	117-21	Locknut, Nylon 5/16-18 Zn
23	5	117-27	Locknut, Nylon 1/4-20 Zn
24	1	613-120	Switch, Micro, Lever
25	1	118-52	Fuse, 10A 2-Prong (AT010)*
26	1	104-27	Pin, Clevis 5/16x.75" Zn
27	1	100-100	Pin, Cotter 1/8x3/4 Zn
29	1	809-147	Lever, Parking Brake
30	1	848-175	Switch, Horn Momentary*
31	1	848-87	Horn, Electric*
32	1	848-176	Harness, Horn Momentary*
33	1	850-72	Bracket Asm, Parking/Brake
35	1	850-79	Pulley, Parking Brake Cable
36	2	850-80	Cable, Parking Brake Equalizer
37	1	850-81	Cable, Parking Brake
38	1	850-82	Flat Bar, Equalizer
39	1	112-143/PI	SHCS 5/16x1.25 Zn
			*If equipped



8x8 Frontier Parts Manual

7.0 Vehicle Body & Firewall

Ref.	Qty.	Part #	Description	Ref.	Qty.	Part #	Description
1	1	707-43	Screen - Exhaust	42	32	120-28	Collar, Magna Grip
2	1	601-44	Nameplate, "Argo"	43	1	801-51	Skid Plate - Black (Opt.)
3	2	127-45B	Knuckle, Hinge	44	1	801-53	Body & Hood, Upper -
4	2	127-45A	Pin, Hinge				Frontier (spec. colour) (incl.
5	1	601-103	Tube, Dash Handle, Pass. Side				23, 33, 38)
6	2	100-109	Cup Holder Insert	45	109	120-09	Rivet 3/16 x 1 - Black
7	1	126-68	Plate, Operation	46	8	103-48	T/S Pan HD PHIL #10 x 5/8
8	1	707-42	Screen, Intake	47	4	126-79	Bumper, Plastic - Black
9	1	801-03	Seat, Rear - Left - 8x8 - Black	48	20	108-25	Washer .31 x .75 x .06 Zn
10	1	100-108	Mesh, Glove Box	49	4	603-15	Washer, Plastic 5/16 Hole
11	2	112-199	Stud, Q-Turn - Long	50	2	103-08	HHCS 1/4-20 x 1.0 Zn
12	1	803-68	Firewall	51	1	127-144	Label, Warning - HOT
13	1	801-02	Seat, Rear - Right - 8x8 - Black	52	1	126-60	Vinyl Strip, 1/2" x 1/4" x 37.5'
14	1	126-67	Plate, Floor Pan	53	8	108-59	Lockwasher #10 Int. Tooth Zn
15	1	127-173	Plate, Vehicle Capacity	54	9	103-47	HHCS 10-24 x 1/2
16	2	127-01	Reflector, Red	55	2	113-12	Insert, 1/2-13
17	1	803-58	Floor Pan, Rear	56	2	108-35	Washer .53 x 1.06 x .09 Zn
18	1	127-141	Label, Caution - Keyswitch	57	2	112-151	HHCS 1/2-13 x 1" Gr2 Zn
19	1	126-69	Plate, Fuel	58	1	613-37	Terminal Strip, Ground
20	2	127-164	Nameplate - 8x8 Frontier 650	59	17	120-13	Rivet, 3/16 x 3/4 Black
21	2	601-106	Trim, Vinyl - 30" Black	60	1	117-10	Locknut, 10-24 N/I Zn
22	2	117-91	Receptacle, Q-Turn	61	38	120-24	Rivet, 3/32 x 3/8 Alum. (all
23	1	602-53	Frame Ass'y, Hood - Front				plates)
24	1	801-05	Bumper, Vinyl - 8x8	62	2	100-114	Gasket, Drain Plug
25	1	803-59	Floor Pan, Front	63	2	602-56	Latch, Hood - Soft Draw
26	1	801-50	Body, Lower	64	1	601-104	Tube, Dash Handle, Driver
27	2	100-107	Plug, Drain - Flanged				Side
28	1	104-13	Pin, Toplink - 3/4 x 2.75	65	2	112-51	Screw, IHWH T/C #10-24x5/8
29	1	616-16	Hitch Assembly	66	1	613-123	Post, Power, 5/16-18, Red
30	1	616-19	Tube, Hitch	67	1	128-26	Grommet, 1-1/2ID x 1-3/4x1/4
31	4	103-61	HHCS 3/8-24 x 1.5 Gr5 Zn	68	1	127-150	Plate, Switch Mounting -3
32	1	104-11	Pin, Lynch - Ring				Hole
33	2	120-15	Rivet - 1/8 x 7/16	69	2	114-24	Retainer, Q-Turn Washer
34	1	616-20	Gasket, Rear Hitch				Note: For ultra chrome add
35	4	108-15	Washer .42 x .81 x .05 Zn				UC to part #
36	25	120-11	Rivet 5/32 x 9/16 - Black				
37	6	120-05	Washer, .19 x .50 x .04 Zn				
38	1	602-57	Hood Kit - Frontier (spec. colour) (incl. 3, 4, 36, 53, 54, 63)				
39	2	117-44	T- Nut 1/4-20 Zn				
40	86	120-04	Washer .19 x .50 x .08 Zn				
41	32	120-27	Pin, Magna Grip				

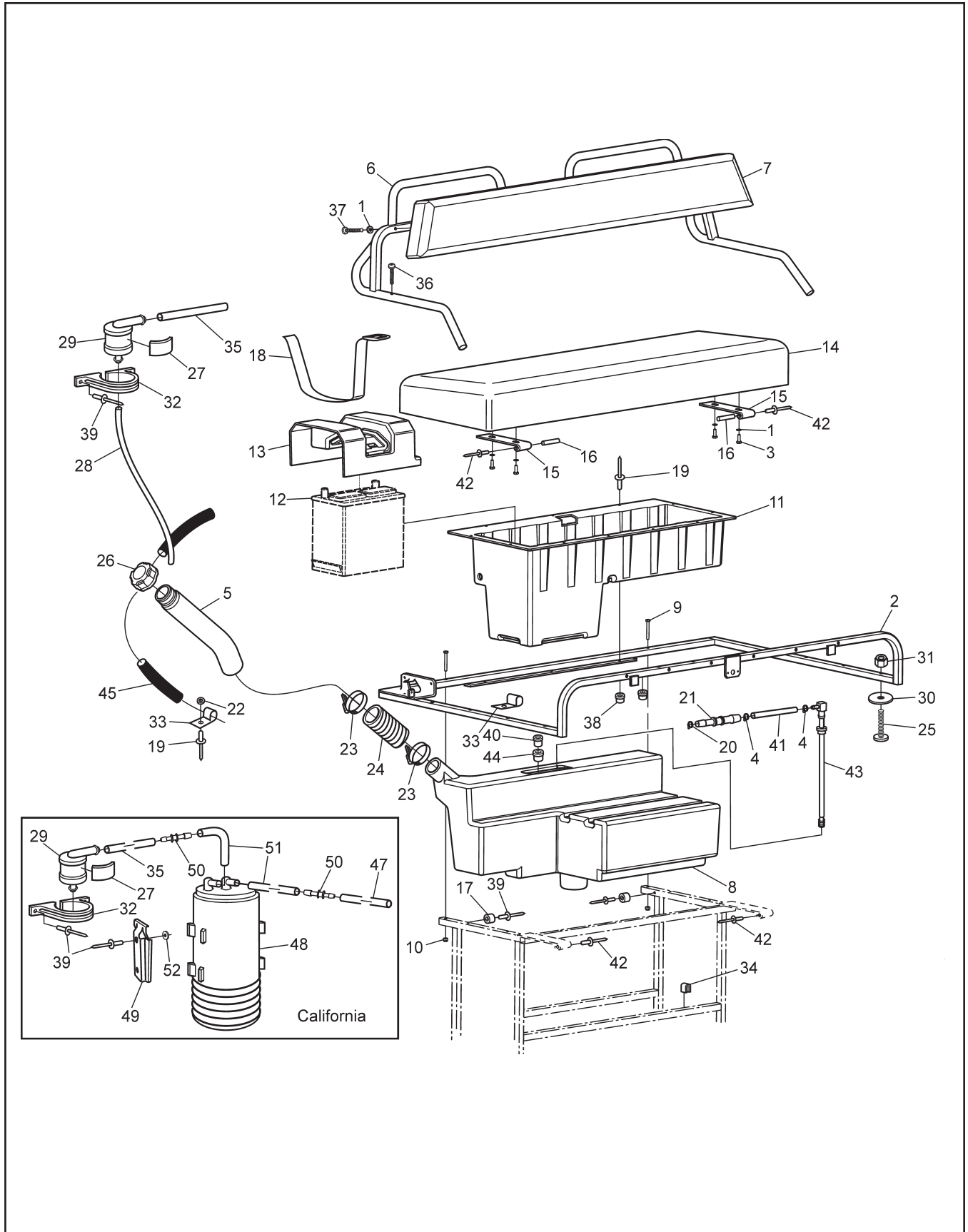


8x8 Frontier Parts Manual

8.0 Frame and Drive System

Ref.	Qty.	Part #	Description	Ref.	Qty.	Part #	Description
1	1	804-100	Frame Asm - Avenger	39	6	100-01	Pin, Cotter 1/8 x 1.50 Zn
2	4	606-25	Gasket - Bearing Extension	40	1x4	100-96	Con. Link, RC50-2 H.D.
3	80	117-29	Locknut, Nylon 3/8-16 Zn	41	1x4	603-84	Con. Link, RC60-1 H.D.
4	16	108-46	Washer .40 x 1.37 x .12 Hi-Carbon	42	6	127-65	Spring Torsion - 1.16x0.35
5		125-75	Link, Half RC50-2	43	6	606-44	Slider Block
6	8	101-41	Bearing, Ball - 1.0	44	6	606-82	Tensioner Asm, Chain
7	80	108-15	Washer, .42 x .81 x .05 Zn	45	6	127-64	Spring, Torsion - .76 x 1.9
8	35	103-88	C/Bolt 3/8-16 x 1.0 Gr5 Zn	46	4	603-95	Spring Clip - RC 50 Closed
9	16	606-90	Gasket, Flange - 72mm	47	4	603-96	Spring Clip - RC 60 Closed
10	12	606-91	Flange - 4 Hole Hd	48	2	606-93	Flange, Greaseable - 90 Deg. Hd
11	10	606-92	Flange, Greasable - 4 Hole Hd	50	8	101-95	Bearing, Ball - 1.25 x 72mm
12	4	101-96	Bearing, Ball - 1.25x1.5 No Grv	51	16	108-06	Lockwasher 3/8 Split Ring Zn
13	16	112-187	C-Bolt 3/8-16x2.0 Gr5 Zn	53	4	104-35	Pin, Cotter 2mm x 12mm
14	8	606-88	Flange Ass'y, Outer Bearing	54	2	127-188	Link, Con. #60 Lambda
15	16	103-68	HHCS 3/8-16 x 2.0 Gr5 Zn	55	4	810-28	Sprocket, Double - 24T
16	4	810-112	Bearing Extension w/nuts	56	2	606-43	Slide, Chain - 2-3/4"
17	20	108-34	Washer .47 x .94 x .06 Zn	57	8	606-89	Carrier, Axle Bearing
18	20	112-181	HHCS 7/16-20 x 1.75 Gr5 Zn	58	4	107-10	Retaining Ring SH-0125-PA
19	5x8	112-183	Stud, Wheel 7/16-20 x 1.5	59	2	642-47	Tie Down Bracket
20	2	810-92	Axle Asm - Front/Rear HD	60	1	613-127	Magnet, Speedometer
21	6	810-113	Axle Asm - Mid HD				
22	2	810-59	Shaft, Idler - 11T				
23	2	606-72	Sprocket, Idler S60 x 21T				
24	8	606-34	Sprocket, S60 x 19T				
25	10	112-03	SHSS 5/16-18 x 3/8 1/2 DOG, PL				
26	2	803-62	Chain, RC60-1 x 34P Idler-Lambda				
27	4	112-60	SHSS 1/4-28 x 1/2 Cup Pt.				
28	8	112-31	HHCS 3/8-16 x 1.0 2B Gr8 Zn				
29	1	112-163	HHCS 3/8-16 x 2.0 Gr5 Zn				
30	4	112-61	C/Bolt 3/8-16 x 1.25 Gr5 Zn				
31		127-80	Link, Half - RC60 - 1 (opt.)				
32	2	803-55	Chain, RC50-2 x 46P-Front (incl. Ref. 40)				
33	2	803-56	Chain, RC50-2 x 74P-Mid (incl. Ref. 40)				
34	4	803-57	Chain, RC60-1 x 90P-Rear (incl. Ref. 41)				
35	5x8	117-35	Nut, Wheel 7/16-20 Zn				
36	8	125-26	Valve, Tire				
37	8	125-13BL	Rim - 8x7, 5 Bolt - Black				
38	8	127-158	Tire, Argo 24 x 10-8				

9.0 Fuel System & Seat Assembly 8x8 Frontier Parts Manual

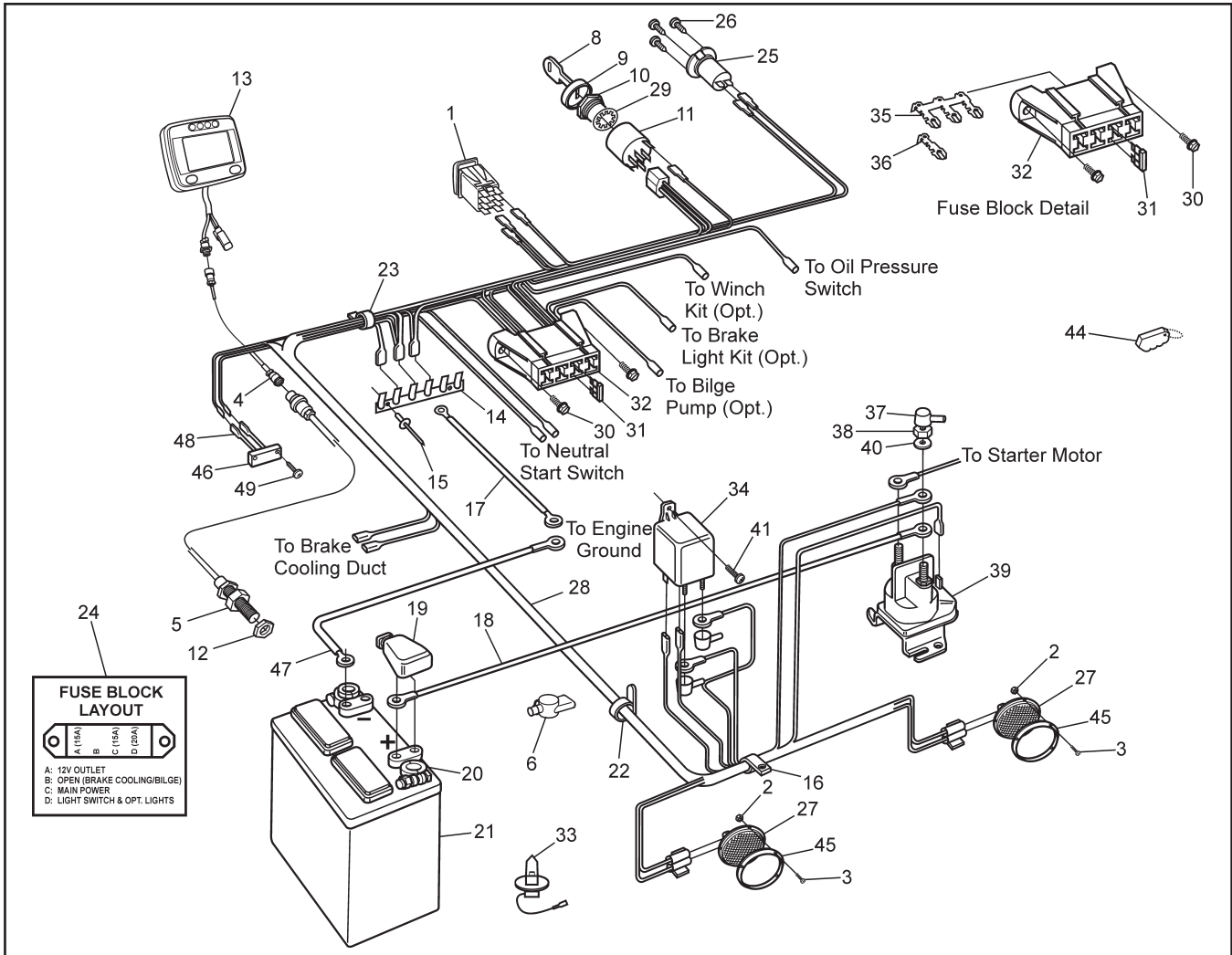


8x8 Frontier Parts Manual 9.0 Fuel System & Seat Assembly

Ref.	Qty.	Part #	Description	Ref.	Qty.	Part #	Description
1	8	108-03	Lockwasher 1/4 Split Ring Zn				
2	1	608-74	Frame Assembly, Seat	8	1	608-120	United States Vehicle Kit Tank, Fuel Low Permeation
3	4	112-04	HHCS 1/4-20x3/4 Gr2 Zn	1	1	127-273	Plate, Serial Blank Double
4	2	112-78	Clamp, Hose, 9/16	1	1	127-274	Label, U.S EPA EVAP
5	1	608-140	Fuel, Fill Neck Assembly				Approval
6	1	608-76	Frame Assembly, Backrest	46	2	120-24	Rivet, Alum - 3/32 x 3/8
7	1	608-39	Back Pad Assembly				Black
8	1	608-122	Tank, Fuel Single Layer				
	1	608-120	Tank, Fuel Low Permeation (for U.S.)	8	1	608-120	California Vehicle Kit Tank, Fuel Low Permeation
9	2	103-77	HHCS, 1/4-28 x 2.0	1	1	127-273	Plate, Serial Blank Double
10	2	117-01	Locknut, Nylon 1/4-28 Zn	1	1	127-274	Label, U.S EPA EVAP
11	1	608-54	Toolbox				Approval
12	1	127-54	See Section 10.0 Electrical System	39	2	120-13	Rivet - 3/16 x 3/4 Black
13	1	608-55	Cover, Battery	46	4	120-24	Rivet, Alum - 3/32 x 3/8
14	1	608-88	Seat Assembly, Bench - Thick				Black
15	2	608-81	Hinge, Seat, Bolted				Label, Carb EVAP
16	2	104-43	Pin, 3/16" x 1-1/8"				Approval
17	2	126-102	Bumper, Recessed Hole	47	1	126-101RM	Hose, Vent 3/16" ID
18	1	608-56	Strap, Battery	48	1	609-45	Carbon Canister 800cc
19	17	120-09	Rivet 3/16x1 - Black	49	1	609-46	Bracket, Carbon Canister
20	4	112-79	Clamp, Hose, 1/2" Black	50	2	609-48	Reducer, Barbed 1/4" to
21	1	808-133	Reducer, 5/16" to 1/4" Barbed				3/16"
22	8	120-04	Washer .19 x .50 x .08 Zn	51	2	127-160-3	Hose, 1/4ID x 3/8OD - 3"
23	2	100-12	Clamp, Gear 2.25" HF-36				Long
24	1	125-94	Hose, Filler	52	2	120-05	Washer .19x.50x.04 Zn
25	10	112-07	RHMS 10-24 x 1.50 Zn				
26	1	126-100	Fuel Cap, Tethered				
27	1	126-60	Vinyl Strip 1/2" x 1/4"				
28	6'	127-160RM	Tubing, 1/4 ID Clear Plastic				
29	1	609-47	Valve, Rollover				
30	10	108-42	Washer .21 x 1.0x.06 Zn				
31	14	117-10	Locknut, Nylon #10-24 Zn				
32	1	609-50	Clamp, Rollover Valve				
33	9	126-93	Clamp, Nylon Wire - 1/2" ID				
34	2	702-06	Foam Cushion				
35	2	126-101RM	Hose, Vent 3/16" ID				
36	2	112-41	PHMS, Phil 1/4-20 x 1.25 Zn				
37	4	103-03	PHMS, Phil 1/4-20 x 1.50 Zn				
38	2	117-64	Insert, 1/4-20 Steel Cad Pltg.				
39	4	120-13	Rivet, 3/16 x 3/4 Black				
40	1	608-137	Plug, Push-In				
41	2"	608-69RM	Hose, Fuel - 5/16" ID Carb				
42	4	120-31	Rivet, 3/16" x 1/4, Open End				
43	1	608-127	Pick-up, Fuel, 5/16 105 Mesh				
44	1	608-136	Grommet, Fuel Return				
45	1	608-66	Hose, Fuel 1/4" ID, 80"				

10.0 Electrical System

8x8 Frontier Parts Manual



Ref.	Qty.	Part #	Description	Ref.	Qty.	Part #	Description
1	1	613-153	Switch, Light	25	1	613-90	Outlet, 12 V DC
2	8	117-93	Nut, Speed #10	26	3	112-139	#4 Phil Drive Oval Head Screw, Black
3	8	112-198	T/S Pan Hd Phil #10 x 1.25 Blk. Zn	27	2	613-159	Headlight - 3.75W
4	1	613-128	Cable, Extension, Speedo Pickup	28	1	613-116	Wire Harness
5	1	613-126	Sensor, Speedo Pickup	29	1	114-26	Lockwasher, 5/8 Int. Tooth
6	1	613-124	Insulator, 2 Way w/cap, Red	30	2	112-51	Screw, IHWH T/C #10-24x5/8
7	1	118-30	Terminal, Eye - #10	31	3	118-49	Fuse, 15 A 2-prong (AT015)
8	2	127-108	Key, Molded	32	1	118-60	Block Fuse - 8 position (4 fuse)
9	1	127-107	Cover, Nut	33	2	127-46	Bulb, Headlight - Halogen
10	1	127-106	Nut, Flanged - Plastic	34	1	613-98	Relay, 80 Amp (if equipped)
11	1	127-105	Switch - Ignition	35	1	118-63	Terminal, Fuse - Triple
12	1	117-87	Nut, M12 x 1.25, Zn	36	5	118-62	Terminal, Fuse - Single
13	1	613-130	Gauge, LCD	37	3	613-45	Insulator, Terminal (6 ga.)
14	1	613-37	Terminal Strip, Ground	38	3	117-20	Nut, Fin. Hex 1/4-20 Zn
15	2	120-15	Rivet 1/8 x 7/16	39	1	613-68	Starter Relay
16	4	127-24	Clamp, Nylon - 1" ID	40	1	108-03	Lockwasher 1/4 Split Ring Zn
17	1	613-14	Wire, Ground - 14"	41	1	103-48	T/S Pan Hd Phil #10x5/8 A Blk
18	1	613-94	Wire, Positive Battery	44	1	681-00	FOB, Key - Floating
19	1	127-55	Cap, Battery Terminal - Red	45	2	613-152	Bezel, Headlamp
20	2	127-56	Terminal, Battery Post	46	1	613-99	Light, Shifter Illumination
21	1	127-54	Battery, Exide 45-60	47	1	613-95	Wire, Negative Battery
	1	613-161	Battery, Optima - Argo (Opt.)	48	2	118-69	Terminal, 3/16 Male Blade 22 Ga
22	8	100-64	Tie Wrap - 5.5" - Black	49	2	112-139	OHPS T/S #4 x 5/8 Black Zn
23	13	126-93	Clamp, Nylon Wire - 1/2" ID				
24	1	127-154	Label, Fuse Panel				

ARGO Products Manufactured by:

Ontario Drive & Gear Limited

220 Bergey Court

New Hamburg, Ontario

Canada N3A 2J5

Phone: (519) 662-2840

Fax: (519) 662-2421

www.argoatv.com

ODG *Dedicated to quality and performance*